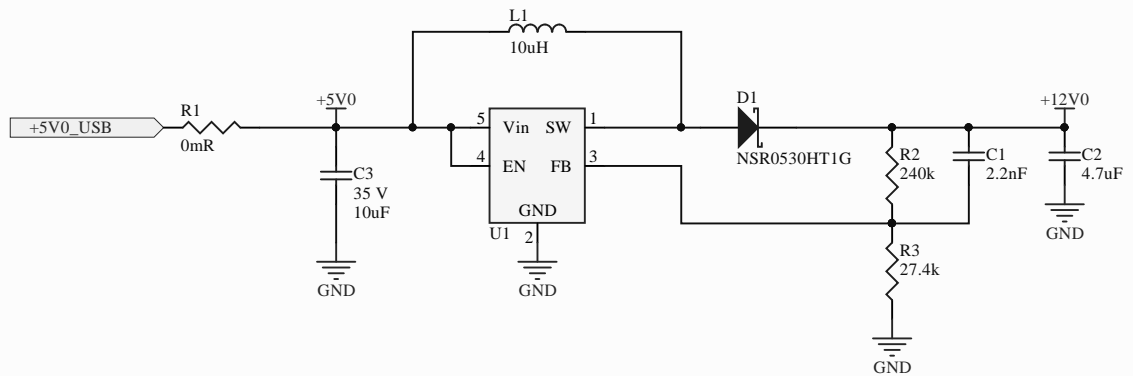
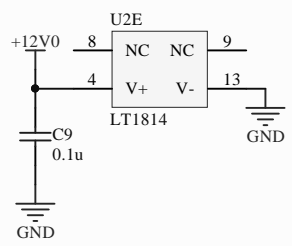
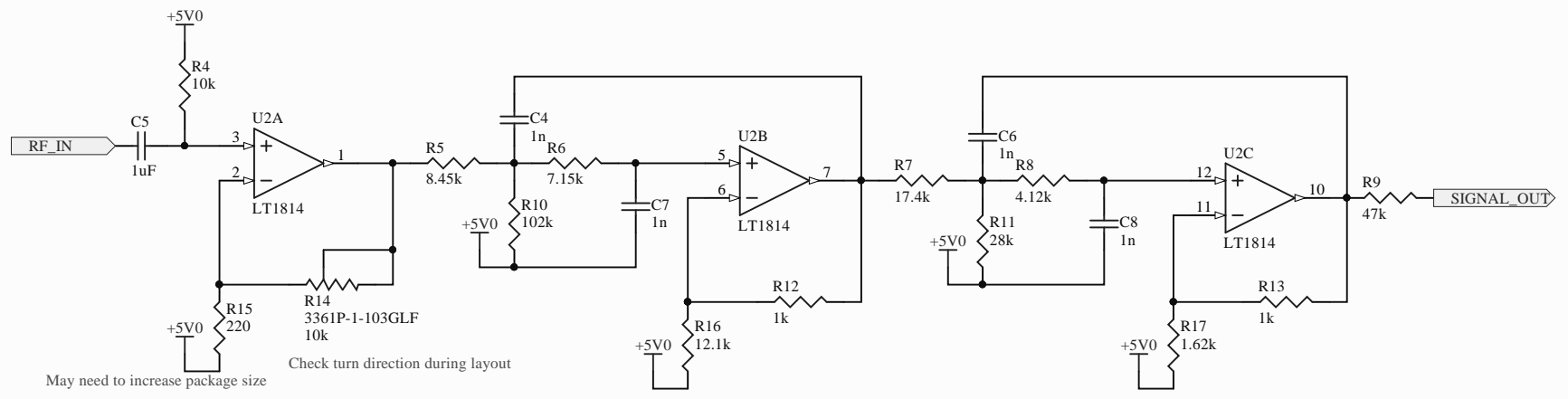


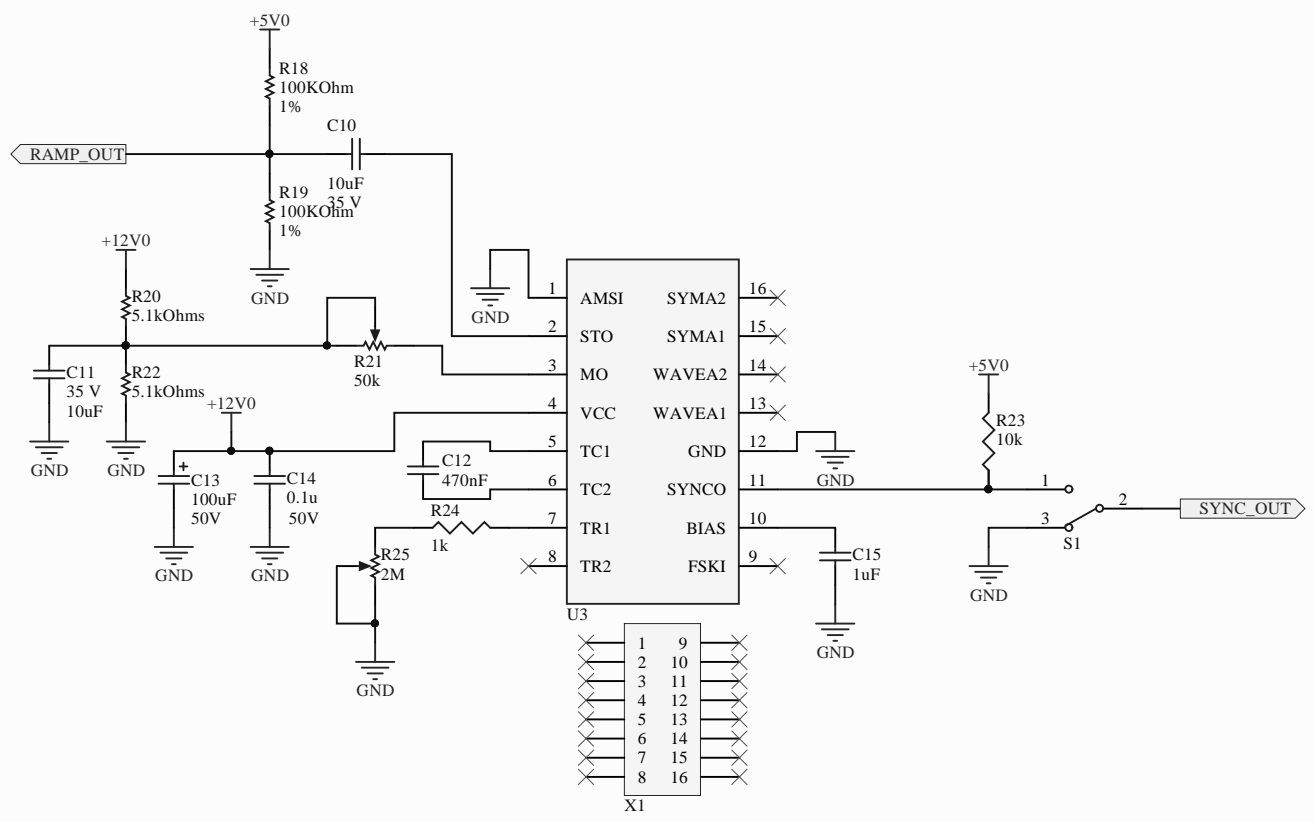
Title			CCR - Top Level		
Size	Number		Revision		
A			1		
Date:	2/24/2019		Sheet 1 of 4		
File:	C:\Users\...\Sheet01-TopLevel.SchDoc		Drawn By: Bob Adams		



Title			CCR - Power Supply		
Size	Number		Revision		
A			1		
Date:	2/24/2019		Sheet 2	of 4	
File:	C:\Users\...\.Sheet02-PowerSupply.SchDoc		Drawn By: Bob Adams		



Title		
CCR - Video Amplifier		
Size	Number	Revision
A		1
Date:	2/24/2019	Sheet 3 of 4
File:	C:\Users\...\Sheet03-VideoAmp.SchDoc	Drawn By: Bob Adams



X1 is here to get socket onto BOM.

Title			CCR - Modulator		
Size	Number		Revision		
A			1		
Date:	2/24/2019		Sheet 4	of 4	
File:	C:\Users\...\Sheet04-Modulator.SchDoc		Drawn By: Bob Adams		